

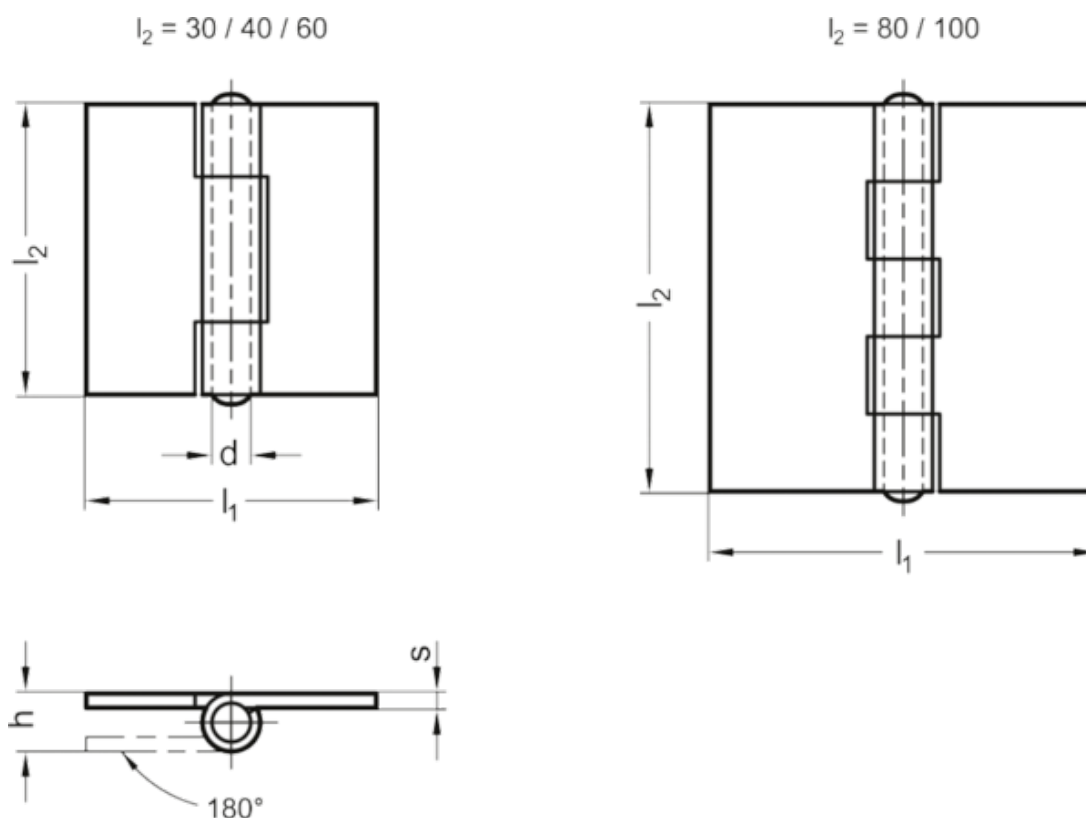
# Data Sheet



Article number: 201362NI100100ABL

Description: E+G Hinge for welding GN 1362-NI-100-100-A-BL  
Stainless steel AISI 304

## Measures



d	= 6
h	= 12
l1	= 100
l2	= 100
s	= 3
Weight in (g)	= 300